

Our associates will ensure the tool works properly before you leave the store. If you experience issues with the tool while completing your project, simply bring it back to the Tool Rental Center to get a replacement. If you purchase Damage Protection at the time of your rental, you are not responsible for repair costs for tools that break due to normal use.



Video for demonstrative purposes only

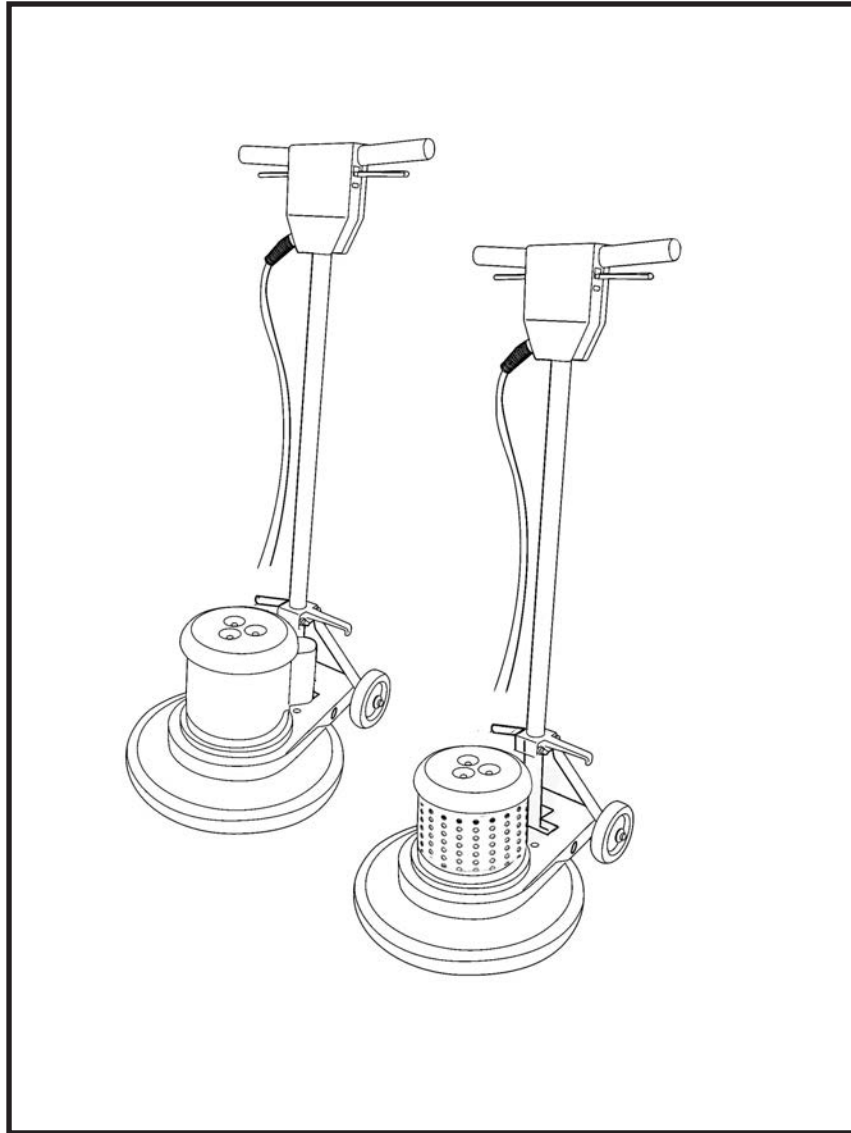


SATURN

17LS3-BK-SV
20LS3-BK-SV
17DS3-BK-SV
20DS3-Bk-SV

LOW SPEED AND DUAL SPEED FLOOR MACHINE

OWNER'S/OPERATOR'S MANUAL



The logo for EDIC, consisting of the letters 'EDIC' in a bold, stylized font with horizontal lines through the letters.

WWW.EDIC-USA.COM

REVISED 4/8/16





PLEASE READ BEFORE OPERATING YOUR NEW SATURN:

Read the manual carefully and completely before attempting to operate the unit. This manual has important information for the use and safe operation of the machine. Keep this manual handy at all times.

This equipment has been engineered and manufactured to provide excellent performance and service. To ensure that your equipment will continue to perform as intended:

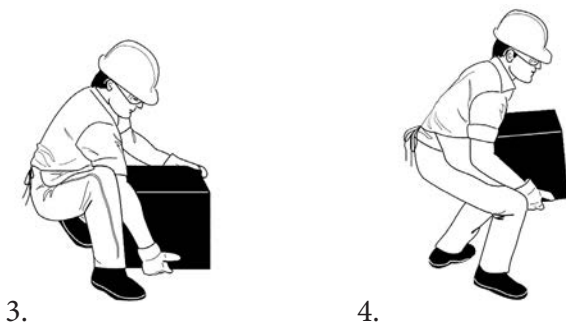
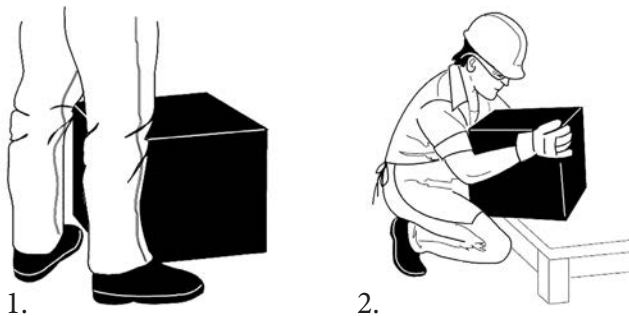
- Maintain and inspect equipment regularly
- Use only original EDIC parts when servicing.
- Operate equipment with care.

WARNING!

- Do not operate the machine unless trained and authorized.
- Do not leave the machine unattended when plugged in. Unplug from the outlet when not in use, before servicing, and when changing the brushes or pads.
- Use indoors only.
- Do not allow to be used as a toy. Close attention is necessary when used by or near children.
- Do not bypass or defeat the safety “lock-out lever.”
- The machine was designed for use as per instructions and recommendations written in this manual. Any deviation from its proper use or purpose and the consequential damage that may occur is the sole responsibility of the end user.
- Do not use with damaged cord or plug. If the machine is not working as it should, or it has been dropped, damaged, left outdoors or dropped into water, take it to an authorized service center.
- Do not pull or carry by cord, use cord as handle, close a door on the cord or pull cord around sharp edges or corners. Do not run machine over cord. Keep cord away from heated surfaces.
- Do not unplug by pulling on cord. To unplug, grasp the plug, not the cord.
- Do not handle plug or appliance with wet hands.
- Make sure the machine is plugged into an electrical outlet with the same voltage and frequency rating as shown on the nameplate of the machine. Do not attempt to plug a 115- volt machine into a 230- volt outlet.
- Do not immerse or use this machine in standing water. Such use can cause electric shock.
- Keep the electrical supply cord from contacting the rotating brush or drive block.
- Do not expose machine to freezing temperatures.
- To avoid electric shock, do not expose the unit to rain. Store indoors only.
- Connect to a properly grounded outlet only. See “Grounding Instructions.”
- Turn off all controls before unplugging.
- When using an extension cord, use a 3 conductor-grounding cord, 12 gauge wire or heavier. Do not use more than 25’ of extension cord.
- Do not put any object into openings.
- Do not use with any opening blocked. Keep free of dust, lint, hair and anything that may reduce air flow.
- Do not operate machine in flammable or explosive areas.
- All servicing of EDIC equipment should be per-

- formed by an EDIC authorized service center.
- Keep hair, loose clothing, fingers and all parts of body away from openings and moving parts.
- Use extra care when cleaning near stairs.
- When servicing machine, use manufacturer's supplied or approved replacement parts.
- Do not wrap the cord too tightly when storing.
- Work only in well lit areas.
- This equipment is heavy. Use proper lifting techniques when lifting heavy equipment.

PROPER LIFTING TECHNIQUES:

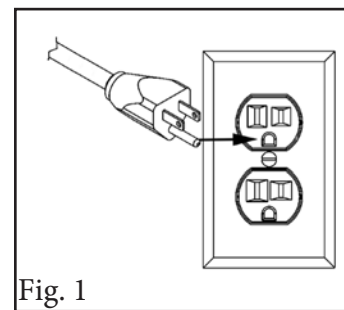


1. Stand close to the load with your feet spread shoulder width apart. One foot should be slightly in front of the other for balance
2. Squat down, bending at the knees (not your waist). Tuck your chin while keeping your back as vertical as possible
3. Get a firm grasp of the object before beginning the lift.
4. Slowly begin straightening your legs, lifting slowly. Never twist your body during this step.

5. Once the lift is complete, keep the object as close to the body as possible. If the load's center of gravity moves away from your body, there is a dramatic increase in stress to the lumbar region of the back.

GROUNDING INSTRUCTIONS:

This piece of equipment must be grounded. Should an electrical malfunction occur, grounding provides a path of least resistance for electrical current- reducing the risk of electric shock. This piece of equipment is furnished with a cord that has a grounding conductor and grounding plug. The grounded plug must only be plugged into an appropriate outlet that is properly installed and grounded in accordance with all local codes and ordinances.



WARNING:

Connecting the equipment to an improperly grounded outlet can result in an increased risk of electric shock. A qualified electrician should be consulted if you are unsure that the outlet is properly grounded. Do not modify the plug provided with the equipment. If it will not fit the outlet, have a proper outlet installed by a qualified electrician.

This appliance is designed for use on a 120-volt circuit. The grounding plug provided looks like the plug illustrated in Figure 1. Replace the plug if the grounding pin is damaged or broken.

The Green (or Green/Yellow) wire in the cord is the grounding wire. When replacing a plug, this wire must be attached to the grounding pin only.

DO NOT use extension cords.

Servicing:

In the event that your SATURN requires service, please contact EDIC at:

800-338-3342

or email info@edic-usa.com

Do not attempt repairs yourself. EDIC will assist you in locating an independent service contractor.

FINAL ASSEMBLY INSTRUCTIONS:
PLEASE READ MANUAL COMPLETELY BEFORE
PROCEEDING TO FINAL ASSEMBLY INSTRUCTIONS ON PAGE 5

PREPARING THE MACHINE FOR OPERATION

Your floor machine will operate in a wide variety of hard floors and carpet cleaning applications. Consult with your local dealer or EDIC Customer Service to select the correct accessories for the job you are going to perform.

BRUSH, PAD DRIVER INSTALLATION

Lock the handle in the upright position and tip the machine back so it rests on the handle and wheels. Fit the three slots of the clutch plate in the back of the brush or pad driver over the three lugs of the drive plate (Fig. 1). Push it firmly into position and turn it counterclockwise until it locks in place (Fig. 2).



Fig. 1

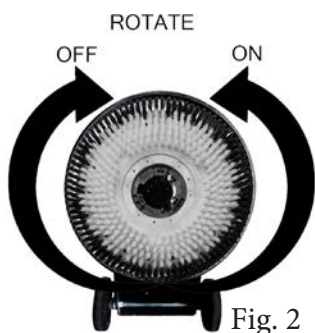


Fig. 2

TO REMOVE PAD DRIVER: Tip the machine back so it rests on the handle and wheels. Turn the brush or pad driver clockwise until it disengages and lifts off. Do not store the machine with the brush or pad drivers installed.

PAD INSTALLATION

TO INSTALL PAD: Tilt the machine back on wheels until machine is resting on handle. Center the pad on the pad holder and place the pad onto the pad holder.

TO REMOVE PAD: Simply remove the pad from the pad holder by pulling it away from the pad holder with steady force.

MACHINE OPERATION

1. Install the pad driver and pad, brush or attachment.
2. Plug in machine.
3. Lower the handle to the desired operating position.
4. Place both hands on the handle grips with your fingers around the ON/OFF lever which extends from one side to the other underneath the handle grips.
5. The safety LOCK-OUT lever is located underneath the right side handle grip and ON/OFF lever. To unlock the LOCK-OUT lever, use your right hand forefinger to press the lever down toward the back of the switch box.
6. While pressing the LOCK-OUT lever, pull the ON/OFF lever on either side of the handle to start the machine.
7. The LOCK-OUT lever will automatically lock when you release the ON/OFF lever preventing the machine from being turned on until it is unlocked again.

TO MANEUVER YOUR FLOOR MACHINE

1. Raise the handle slightly and the machine will go to the right. The higher you raise it, the faster it will go.
2. Lower the handle and the machine will go left. The more you lower it, the faster it will go.
3. Practice on a smooth surface to gain experience in operating the unit before moving on to other surfaces.

DUAL SPEED FUNCTION FOR 17DS3-BK-P & 20DS3-BK-P:

Use the black switch located directly behind the motor to switch between low speed (180RPM) and high speed (320RPM). Do not change speeds while machine is running. Always wait until motor has stopped completely before changing speeds.

Storage:

Wipe with a clean damp cloth after every use. Store in a clean dry place.

CORD STORAGE:

- Unplug the cord- Clean and inspect for damage.
- Wrap the cord around the left side handle grip.
- Do not wrap too tightly.